

冷静自如
动力无限



沈阳谷轮制冷机有限公司

Shenyang GuLun Refrigeration Co., Ltd.

地址：沈阳经济技术开发区

Sales Company: Economic & Technology Development District, Shenyang

联系电话 (Tel): 024-23508261 23508361

传真 (Fax): 024-87440208

欲了解更多请登陆网站: www.sygulun.com

For further information, please click this website: www.sygulun.com

半封闭压缩机系列产品手册(S系列)

Conventional Semi-Hermetic Compressor Catalogue

Compressor

沈阳谷轮制冷机有限公司

SHENYANG GULUN REFRIGERATION CO., LTD.



S

S系列压缩机适用于中/低温工况，功率范围：5Hp~15Hp；蒸发温度范围：0~-30°C（其中8Hp与15Hp高温机蒸发温度范围：5~-30°C）；适用制冷剂：R22/R502。

S series compressors are used in medium/low ambient condition. Capacity range: 5Hp~15Hp. Evaporating temp. range: 0~-30°C (High temp. units evaporating range: 5~-30°C). Optional refrigerant: R22/R502



4S

4S/6S系列压缩机分为高温与中低温两种机型，适用于高/中/低温工况，其中低温机功率范围：15Hp~40Hp；蒸发温度范围：-5~-45°C；高温机功率范围：20Hp~50Hp；蒸发温度范围：12.5~-25°C；适用制冷剂：R22/R404A/R407C等。

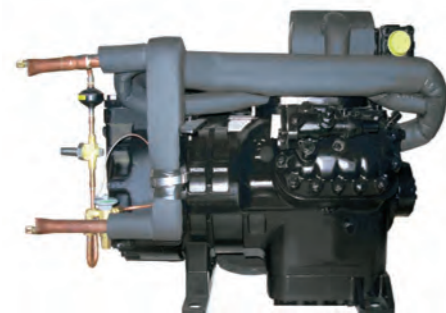
Series 4S/6S compressors include high temp. and low temp. types, they're widely used in high/medium/low ambient condition, low temp. units capacity range: 15Hp~40Hp, Evaporating temp. range: -5~-45°C. High temp. units capacity range: 20Hp~50Hp, Evaporating temp. range: 12.5~-25°C. Optional refrigerant: R22/R404A/R407C.



6S

6T（双级）系列压缩机适用于低温工况，功率范围：15Hp~30Hp；蒸发温度范围：-20~-50°C（采用制冷剂R404A时蒸发温度范围为：-20~-60°C）；适用制冷剂：R22/R404A。

6T series compressors (two stages) are suitable to be used in low ambient condition. Capacity range: 15Hp~30Hp, Evaporating temp. range: -20~-50°C (Evaporating temp. range will be -20~-60°C if with R404A refrigerant). Optional refrigerant: R22/R404A



6T



性能测试中心



加工中心



三坐标检测仪

S 系列 Series 2-6

S 系列压缩机制冷量 Capacity	2-2
R22	3-3
技术参数 Technical Data	4-4
外形尺寸 Dimensions	5-5
型号说明 Model Nomenclature	6-6
电气原理图 Electrical Wiring Diagrams	

4S/6S 系列 Series 7-21

制冷量 Capacity	7-11
R22	7-8
R404A	9-10
R407C	11-11
型号说明 Model Nomenclature	12-12
技术参数 Technical Data	13-14
外形尺寸 Dimensions	15-19
电气原理图 Electrical Wiring Diagrams	20-21

双级 Two Stage 系列 Series 22-28

制冷量 Capacity	22-22
R22	22-22
R404A	22-22
型号说明 Model Nomenclature	23-23
外形尺寸 Dimensions	24-25
技术参数 Technical Data	26-26
电气原理图 Electrical Wiring Diagrams	26-28

制冷量 (瓦)
Capacity(Watts)

50Hz

型号 Model	冷凝温度°C Condensing Temperature		蒸发温度°C Evaporating Temperature							
			5	0	-5	-10	-15	-20	-25	-30
S-0300	30	Q		9800	8430	6800	5350	4070	2730	1860
		P		2550	2330	2280	2150	1950	1700	1450
	40	Q		8700	7380	5820	4530	3370	2250	
		P		2900	2700	2550	2350	2050	1650	
	50	Q		7800	6300	4940	3840	2820	1820	
		P		3200	3000	2780	2480	2150	1670	
S-0400	30	Q	14350	12330	10590	8430	6750	5180	3840	2500
		P	3010	2930	2800	2680	2500	2300	2020	1680
	40	Q	13250	10820	9200	7270	5700	4250	3070	
		P	3600	3450	3230	3000	2730	2430	2190	
	50	Q	11570	9780	7910	6160	4760	3530	2260	
		P	4180	3930	3600	3250	2880	2450	1890	
S-0500	30	Q		15940	13140	10760	8720	6860	5300	3840
		P		3605	3500	3350	3150	2900	2625	2300
	40	Q		14780	11750	9600	7620	6050	4410	
		P		4250	4075	3800	3500	3150	2800	
	50	Q		13570	10380	8370	6570	5030	3600	
		P		4900	4550	4200	3775	3300	3000	
S-0800	30	Q	28140	22790	19300	15580	12320	9650	7270	5350
		P	5070	4910	4690	4420	4100	3750	3350	2950
	40	Q	25580	20930	16970	13480	10500	8250	6390	
		P	6250	5850	5420	4970	4500	4000	3650	
	50	Q	23260	19180	14650	11740	9070	6740	4880	
		P	7030	6550	6000	5400	4750	4150	3990	
S-1000	30	Q		31190	26510	21620	17450	13720	10700	8140
		P		7450	7150	6750	6250	5750	5200	4650
	40	Q		28910	23730	19420	15350	12100	9340	
		P		8800	8200	7600	6900	6250	5750	
	50	Q		25880	21040	17090	13490	10580	7890	
		P		9650	9150	8300	7500	6650	6000	
SH-1000	30	Q	38800	33200	26700	21650	17510			
		P	9100	9000	8300	7760	6950			
	40	Q	34750	29000	23800	19500	15330			
		P	10300	9670	9150	8450	7670			
	30	Q		47820	38960	31750	25350	20170	15700	11980
		P		10800	10300	9800	9100	8250	7400	6600
S-1500	40	Q		42560	34890	28260	22560	17800	14180	
		P		12500	11800	10900	9900	8850	8100	
	50	Q		38600	30700	24880	19650	15580	12790	
		P		13250	13100	11900	10750	9500	8800	
SH-1500	30	Q	56540	47820	38420	30370	25350			
		P	13600	12925	12100	10950	10000			
	40	Q	50320	42560	34190	27030	22560			
		P	14900	14100	13100	11700	10000			
	50	Q	46740	38600	30930	24420				
		P	15900	15000	13750	12350				

* 制冷量基于30°C吸气温度, 5K过冷度 (S-0800、SH-1000与SH-1500, 其制冷量基于15°C吸气温度, 5K过冷度)

* 冷凝温度在45°C以上, 必须附加缸头冷却风扇。

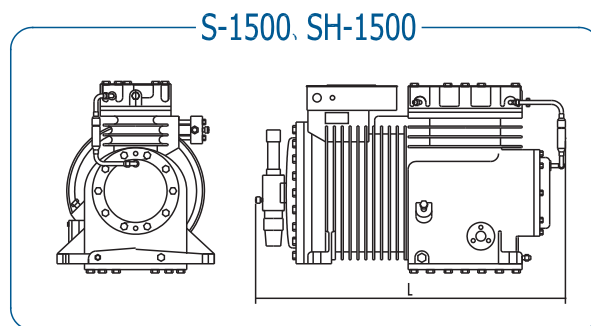
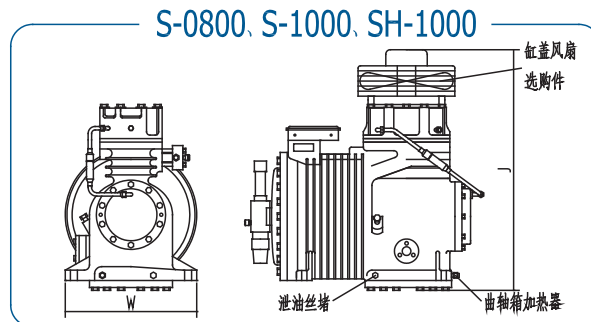
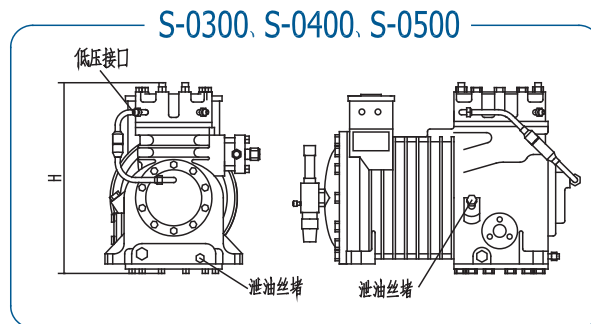
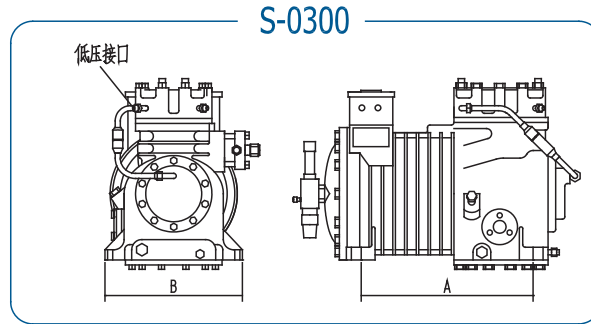
* Based on 30°C suction gas return, with 5K liquid subcooling(S-0800、SH-1000 and SH-1500 relating to 15°C suction gas return with 5K liquid subcooling)

* Condensing temperature over 45°C, the cap of the unit should be equipped with a cooling fan.

型号 Model		S-0300	S-0400	S-0500	S-0800	S-1000	SH-1000	S-1500	SH-1500
电机绕组	Motor Winding	星形接法	星形接法	星形接法	三角形接法	三角形接法	星形接法	三角形接法	三角形接法
名义功率	Nominal Power	3	4	5	8	10	10	15	15
缸数	Number of Cylinders	2	2	2	2	2	2	3	3
排气量(立方米/小时)	Air Capacity(m ³ /h)	12.2/14.6	14.7/17.8	18.4/22.1	26.6/32.0	36.0/43.2	36.0/43.2	54.0/64.7	54.0/64.7
启动电流(LRA)(安培)	Starting Current (LRA) (A)								
TFC:200-3-50/60 内藏式保护器	Inner Protector	58-64	76-88	105-116					
TWC:200-3-50/60 电子式保护器	Electronic Protector				146-158	224-253	265-300	324-367	
TFM:380/400-3-50 内藏式保护器	Inner Protector	30-32	38-44	53-58					
TWM:380/400-3-50 电子式保护器	Electronic Protector				73-81	112-125	135-150	162-184	162-184
最大运转电流(MCC)(安培)Max. Working Current(MCC) (A)									
TFC和TWC电机	TFC and TWC Motor	12.7	16.7	19.0	33.0	42.2	52.0	56.0	
TFM和TWM电机	TFM and TWM Motor	5.7	7.6	8.6	15.0	17.6	22.3	24.3	28.0
接管尺寸(毫米)	Size of Pipe (mm)								
排气阀接管	Exhaust Valve Pipe	19.5	19.5	19.5	25.4	25.4	25.4	28.0	28.0
吸气阀接管	Suction Valve Pipe	19.5	25.0	25.0	31.8	31.8	31.8	38.0	38.0
曲轴箱加热器功率(瓦)	Crankcase Heater Power (W)	60	60	60	120	120	120	180	180
长(L)	Length	518	585	585	624	624	624	748	800
宽(W)	Width	261	282	282	320	320	320	356	356
高(不带风扇)(H)	Height (without fan)	321	380	380	466	466	449	448	431
高(带风扇)(J)	Height (with fan)	477	536	536	622	622		604	
底脚安装尺寸(A)×(B)	Installation Size of Footing	310×200	355×230	355×230	380×280	380×280	380×280	480×315	480×315
油充注量(升)	Oil Filling Volume(L)	1.3	1.9	1.85	3.5	3.5	3.5	4.8	4.8
净重(千克)	Net Weight (kg)	63	85	91	133	140	143	175	181
毛重(千克)	Gross Weight (kg)	71	94	100	143	150	153	186	192

注:

- 电机冷却方式为制冷剂回气冷却
 - 所有型号电机适合于直接启动
 - 电机转速 50/60Hz 分别为 1450/1750 转 / 分钟
 - 所有型号的润滑方式为飞溅式, 且旋转方式可逆
 - SH-1500、SH-1000 有特殊的高温阀板, 适用于空调工况
 - 压缩机最大工作压力: 高压侧: 26bar, 低压侧: 18bar
 - 截止阀高 / 低压接口规格: $\Phi 6$
 - 注油丝堵规格: $R_2 1/4''$
 - 泄油丝堵规格: $R_2 1/4''$
 - 曲轴箱加热器套管规格: $R_1/2$
 - 压缩机底脚孔尺寸: $\Phi 15$
- Should be cooled by refrigerant
 - The motor should be fit for direct start
 - The rotate speed 50/60Hz of the motor are corresponding to 1450/1750r/m respectively
 - Styles of lubrication of all models are splashing, and rotation is reversible
 - SH-1500、SH-1000 special high temperature valve plate used for air conditioning condition
 - The maximum working pressure of the compressor 26bar for high pressure side, 18bar for low pressure side
 - Connect dimension of high-low pressure of disconnecting valve, $\Phi 6$
 - Oiling bolt: $R_2 1/4''$
 - Oil discharge bolt: $R_2 1/4''$
 - Sleeve (crankcase heater): $R_1/2$
 - Foot hole dimension of compressor: $\Phi 15$



使用范围:

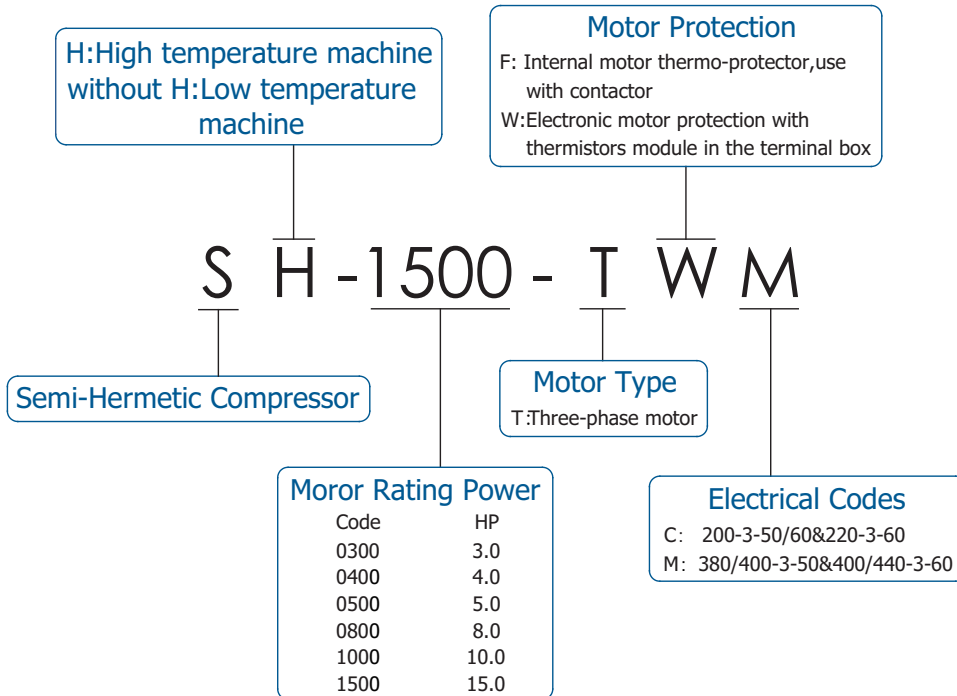
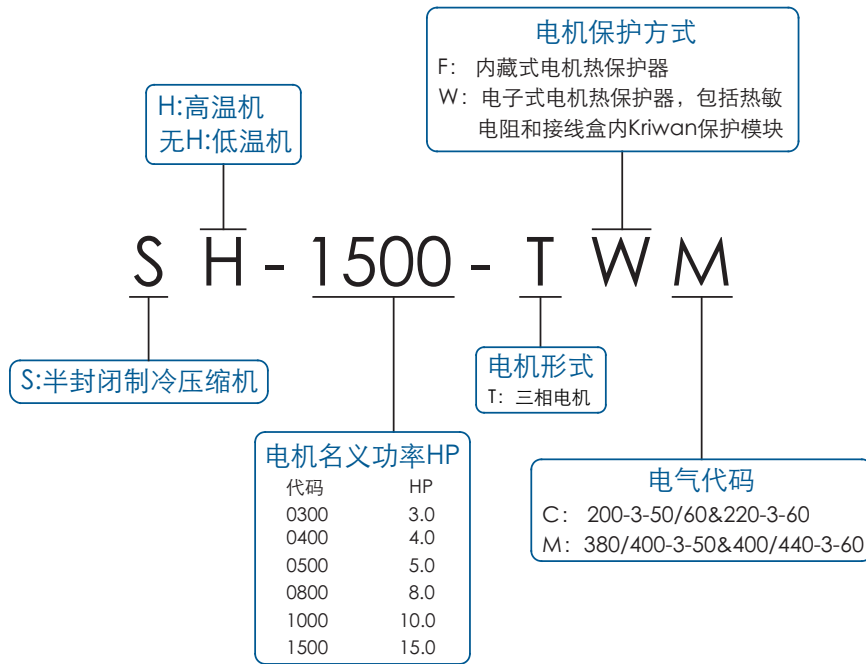
最高排气温度(排气管表面距离排气阀口 15CM 处): 135°C 最高过热度: 30°C 最高油温: 80°C 最高电机温度: 105°C
 电机端电压: 额定电压 $\pm 10\%$ 每小时最多启动 5 次 环境温度: $-15^{\circ}\text{C} \sim 40^{\circ}\text{C}$

Application scope:

Maximum exhaust temperature (surface of the exhaust pipe) is 135°C Maximum overheat temperature is 30°C
 Maximum oil temperature is 80°C Maximum motor temperature is 105°C .

Fluctuation scope of motor voltage: rated voltage $\pm 10\%$; Start times no more them 5 per hour

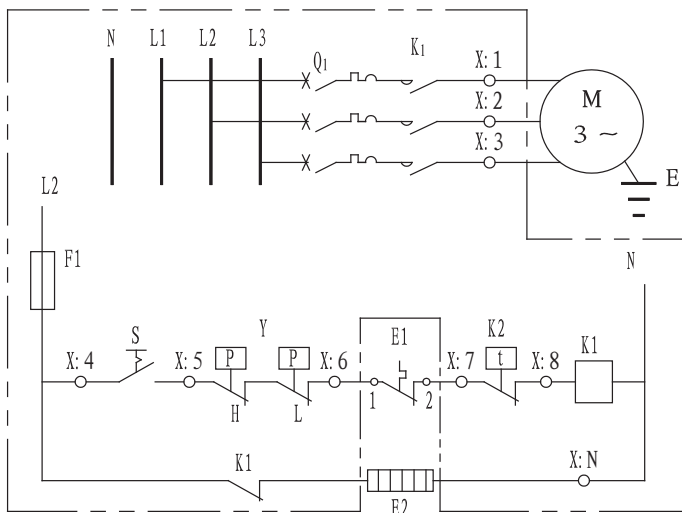
Ambient temperature: $-15^{\circ}\text{C} \sim 40^{\circ}\text{C}$.



本电气原理图供用户进行电气控制设计时参考，可以在曲轴箱加热器回路中设置一个手动开关。

The following diagram is supplied to customers for reference. A switch can be added to the crankcase heater circuit.

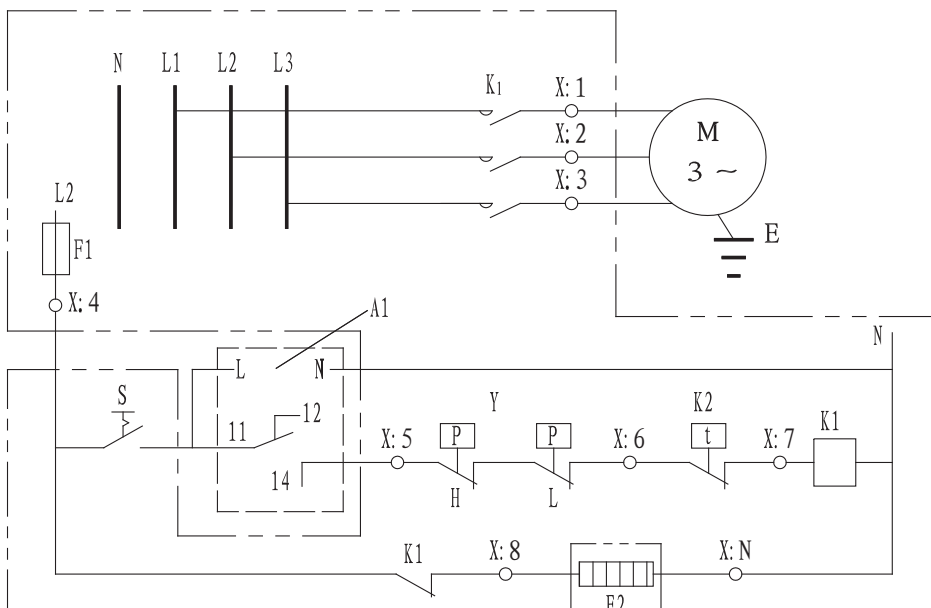
S-0400, S-0500



电气代码说明:

X:	接线端子	Terminals Block
A1:	电机保护模块	Motor Protector Module
Y:	压力控制器	Pressure Switches
E2:	曲轴箱加热器	Crankcase Heater
E1:	电机热保护器	Motor Thermo-protector
K2:	温度控制器	Thermostat
K1:	交流接触器	AC Contactor
Q1:	断路器	Breaker
M:	压缩机	Compressor
S:	控制开关	Switch
F:	熔断器 (保险丝)	Fuse

S-0800, S-1000, S-1500, SH-1500



制冷量 (瓦)
Capacity(Watts)

50Hz

型号 Model	冷凝温度°C Condensing Temperature		蒸发温度°C Evaporating Temperature								
			-5	-10	-15	-20	-25	-30	-35	-40	-45
			4SLV-150	30	Q	48900	40000	32370	25800	20100	15440
		P	13100	12400	11500	10600	9500	8500	7500	6400	5400
	40	Q	43500	35400	28400	22000	17120	12860	9600	6730	4450
		P	15400	14200	13000	11800	10500	9100	7800	6450	5340
	50	Q	37800	30400	23850	18400	14000	10500	7520	5050	
		P	17400	15900	14300	12700	11000	9500	8000	6500	
	30	Q	57300	46900	37850	30000	23200	17700	13100	9400	6530
		P	15800	14600	13400	12100	10800	9520	8240	7000	5850
4SLV-200	40	Q	51100	41400	33200	25800	19890	14990	11000	7700	5120
		P	18000	16500	15000	13500	11900	10400	8900	7440	6100
	50	Q	44400	36000	28120	22000	16750	12370	8800	6000	
		P	20200	18400	16520	14700	12900	11100	9400	7800	
	30	Q	69000	57100	46800	37560	29200	22300	16500	11600	7820
		P	19700	18720	17500	16000	14400	12700	11000	9400	7900
6SLW-250	40	Q	61900	50650	40900	32000	24900	18500	13560	9300	6000
		P	22900	21400	19800	17900	15900	13800	11800	9900	8100
	50	Q	54200	44000	34990	26890	20200	15000	10500	6900	
		P	25700	23800	21700	19400	17000	14600	12300	10100	
	30	Q	81900	67200	54800	43200	33850	26000	19300	13960	9600
		P	25300	23000	20900	18800	16720	14800	12800	10940	9100
6SLW-320	40	Q	73000	59400	47900	37500	28500	22000	15950	11000	7130
		P	28500	25800	23100	20500	18100	15700	13400	11200	9000
	50	Q	64000	51600	40400	31350	24000	17700	12550	8300	
		P	31700	28400	25300	22300	19500	16700	14100	11500	
	30	Q	106000	87120	70600	56200	43700	32400	24900	18200	12370
		P	28200	26600	24700	22700	20500	18300	16000	13600	11300
6SLW-400	40	Q	94500	77100	62000	48500	37400	28200	21000	14600	9600
		P	32700	30300	27800	25100	22400	19700	16900	14200	11600
	50	Q	81800	66200	52000	40300	30600	23100	16500	11100	
		P	36900	33700	30500	27200	23900	20700	17600	14600	

* 制冷量基于 20°C 吸气温度，无过冷度

* 吸气过热度限制在 20K 以下

* 必须附装喷液装置 DTC 阀组件和缸头冷却风扇

* 必须附加缸头冷却风扇，且吸气过热度限制在 20K 以下

* Cooling quantity based on air intake at 20°C, no over cooling.

* Over heat intake air must be limited under 20K.

* Liquid spray device must be installed DTC valve assembly and cylinder end cooling fan.

* Cylinder end cooling fan must be installed, over heat intake air must be limited under 20K.

制冷量 (瓦)
Capacity(Watts)

50Hz

型号 Model	冷凝温度°C Condensing Temperature		蒸发温度°C Evaporating Temperature								
			12.5	10	5	0	-5	-10	-15	-20	-25
			Q	P	Q	P	Q	P	Q	P	Q
4SHV-200	30	Q	76260	69890	58900	48800	40200	32880	26500	21100	16600
		P	9600	9800	10100	10000	9800	9400	8900	8200	7500
	40	Q	67900	62680	52170	43260	35660	28780	23200	18000	13750
		P	12600	12600	12400	12000	11400	10700	9900	9000	8100
	50	Q	59900	54880	45650	37700	30840	25000	19600	14850	11000
		P	15400	15200	14600	13800	12800	11800	10700	9600	8500
4SHV-250	30	Q	96100	88600	74100	61880	50760	41680	33000	26400	20500
		P	12800	13000	13100	13000	12600	12000	11200	10300	9300
	40	Q	86500	79900	66680	55250	45670	36860	29500	22600	17000
		P	16500	16400	16000	15400	14600	13600	12400	11200	9950
	50	Q	76700	70300	58900	48500	39950	32300	25000	19000	13860
		P	19900	19600	18700	17600	16300	15000	13500	12100	10500
4SHV-300	30	Q	114800	105000	88000	73000	59850	48700	39000	30600	23500
		P	15900	16000	16000	15700	15100	14300	13200	12000	10700
	40	Q	103000	95000	78600	65200	53400	42900	34100	25700	19000
		P	20300	20100	19400	18500	17400	16100	14600	13100	11400
	50	Q	90950	83450	69300	57100	46500	37300	28600	20800	14750
		P	24200	23700	22500	21100	19500	17700	15900	14000	12000
6SHW-350	30	Q	137600	126700	106400	89100	73600	60400	49100	39300	31000
		P	20100	20300	20300	20000	19400	18500	17400	16100	14700
	40	Q	123200	113300	95100	79300	65400	53600	43100	33400	25600
		P	25700	25400	24700	23700	22400	21000	19300	17600	15800
	50	Q	109500	99900	83600	69800	57200	46600	36400	27600	20600
		P	30900	30200	28800	27100	25200	23200	21000	18900	16700
6SHW-400	30	Q	167000	152300	128200	106900	87780	71650	57200	45100	35000
		P	23900	24100	24100	23700	22800	21700	20200	18500	16700
	40	Q	149500	137500	114900	94900	77900	62500	49860	37480	27600
		P	30500	30200	29300	28000	26400	24500	22400	20200	17800
	50	Q	133000	121000	100500	82560	67560	53680	41000	29700	20700
		P	36700	35900	34100	32000	29600	27000	24300	21500	18700
6SHW-500	30	Q	201000	184300	154000	128000	105000	84960	68000	53600	41700
		P	28500	28700	28600	27900	26800	25300	23400	21300	19000
	40	Q	180000	166000	137600	114000	93820	75890	60200	45900	34600
		P	35900	35500	34300	32700	30700	28400	25800	23100	20300
	50	Q	157500	145100	120600	100000	81250	65650	50860	38300	28600
		P	42500	41600	39400	36900	34100	31000	27900	24700	21500

* 制冷量基于 20°C 吸气温度，无过冷度

* 必须附加缸头冷却风扇，且吸气过热度限制在 10K 以下

* 吸气过热度限制在 20K 以下

* Cooling quantity based on air intake at 20°C, no over cooling.

* Cylinder end cooling fan must be installed, over heat intake air must be under 10K.

* Over heat intake air must be limited under 20K.

制冷量 (瓦)
Capacity(Watts)

50Hz

型号 Model	冷凝温度°C Condensing Temperature		蒸发温度°C Evaporating Temperature								
			-5	-10	-15	-20	-25	-30	-35	-40	-45
			4SLV-150E	30	Q	56400	46500	38100	31200	24700	19400
		P	15700	14700	13600	12400	11100	9800	8500	7200	6000
	40	Q	48000	39600	32100	26100	20800	16100	12270	8200	5490
		P	18000	16500	15000	13400	11800	10200	8700	7200	5800
	50	Q	39600	32200	26300	21000	16700	12920	8700	6140	
		P	19900	18000	16100	14200	12400	10500	8750	7100	
	30	Q	66500	54900	44900	36600	29000	22700	17300	12760	8320
		P	18200	17100	15800	14400	12900	11300	9700	8150	6600
	40	Q	56900	47000	38100	30700	24200	18700	14000	9180	5850
		P	20700	19100	17400	15600	13700	11800	9900	8000	6250
	50	Q	47000	38600	31200	24600	19200	14600	9450	6250	
		P	22900	20900	18700	16500	14200	11900	9750	7600	
	30	Q	81500	67800	55400	45000	36100	28200	21400	15700	10460
		P	23800	22300	20500	18600	16600	14500	12400	10300	8400
	40	Q	68800	56600	46800	37600	30200	23100	17400	11200	7600
		P	26700	24700	22400	20000	17600	15100	12700	10400	8250
	50	Q	55800	46500	37600	30100	23800	18300	11900	8200	
		P	29300	26700	24000	21200	18300	15500	12800	10300	
	30	Q	97000	80600	65900	53600	42700	33100	25500	18900	12700
		P	28500	26500	24200	21800	19400	16900	14500	12100	9900
	40	Q	81500	66900	55000	44000	35100	27200	20600	13700	9320
		P	32200	29400	26400	23400	20400	17400	14600	11900	9450
	50	Q	65400	53600	43600	35100	27600	21380	14160	9900	
		P	35500	31900	28200	24600	21100	17700	14500	11600	
	30	Q	117300	98000	80600	65800	52400	41600	31600	23560	15400
		P	33800	31600	29200	26600	23800	21000	18100	15300	12500
	40	Q	100500	83900	68800	55600	41500	34600	26200	17600	11650
		P	38600	35500	32200	28800	25400	22000	18700	15500	11400
	50	Q	83500	68800	55900	45600	36200	27900	18800	13200	
		P	42800	38800	34700	30600	26500	22600	18900	15300	

* 制冷量基于 20°C 吸气温度，无过冷度

* 必须附加缸头冷却风扇，且吸气温度限制在 0°C 以下

* 吸气温度限制在 0°C 以下

* Cooling quantity based on air intake at 20°C, no over cooling.

* Cylinder end cooling fan must be installed, The temperature of intake air limits under 0°C.

* The temperature of intake air limits under 0°C.

制冷量 (瓦)
Capacity(Watts)

50Hz

型号 Model	冷凝温度°C Condensing Temperature		蒸发温度°C Evaporating Temperature										
			7	5	0	-5	-10	-15	-20	-25	-30		
			Q		P		Q		P		Q		P
4SHV-200E	30	Q	68900	64350	53980	44490	36570	29700	23640	18700	14500		
		P	11900	11900	11800	11400	10800	10100	9300	8450	7500		
	40	Q	58800	54200	45600	37520	30650	24850	19800	15400	11680		
		P	14500	14300	13700	13000	12100	11100	10000	8850	7700		
	50	Q	48000	44900	37100	30600	25000	20000	15800	12100	9000		
		P	16700	16400	15500	14400	13200	11900	10500	9150	7800		
4SHV-250E	30	Q	85600	79980	66600	55100	45000	36500	29300	23000	17650		
		P	15300	15200	15000	14400	13700	12800	11800	10600	9400		
	40	Q	72000	66900	55980	46100	37650	30600	24300	19000	14450		
		P	18900	18600	17800	16700	15600	14300	12900	11400	9950		
	50	Q	57680	53650	44680	37000	30200	24250	19500	15100	11100		
		P	22000	21500	20200	18700	17200	15500	13800	12100	10500		
4SHV-300E	30	Q	101000	94500	80100	66860	55400	45000	36150	28340	20590		
		P	18700	18600	18100	17400	16400	15300	13900	12400	10900		
	40	Q	85600	80100	67860	56350	46500	37600	30100	23300	17500		
		P	22300	22000	22100	19900	18500	16800	15100	13200	11200		
	50	Q	70700	67000	55960	46500	38100	30700	24200	18600	13500		
		P	25600	25100	23700	22000	20100	18000	15800	13500	11100		
6SHW-350E	30	Q	129700	121100	102000	84560	69500	56670	45100	35600	27500		
		P	24100	24000	23300	22300	21100	19500	17900	16000	14100		
	40	Q	110600	103500	86600	71700	58900	47500	38100	29700	22580		
		P	28900	28500	27000	25300	23400	21300	19100	16800	14600		
	50	Q	91500	85100	71280	58900	48000	38600	30700	23600	17700		
		P	33000	32200	30100	27700	25200	22600	19900	17200	14600		
6SHW-400E	30	Q	149000	138900	116100	96000	78900	64600	51420	40680	31640		
		P	29400	29100	28100	26700	25000	23100	21000	18800	16500		
	40	Q	123600	116000	96820	79680	65420	52960	42860	33180	25200		
		P	35000	34400	32500	30300	27900	25300	22600	19800	17100		
	50	Q	99000	92000	76580	63640	51900	42000	33780	26000	19500		
		P	39900	38900	36200	33300	30200	27000	23800	20700	17600		
6SHW-500E	30	Q	177200	165500	138200	115900	95000	77250	61860	48500	37600		
		P	33700	33600	33000	31700	29800	27500	24900	22200	19300		
	40	Q	151600	141000	117200	97600	80200	64500	51500	40100	30200		
		P	40600	40000	38200	35800	32900	29800	26500	23200	19900		
	50	Q	124000	115000	96200	79200	64800	52000	41600	32200	23700		
		P	46400	45400	42400	39000	35300	31400	27500	23600	20000		

* 制冷量基于 20°C 吸气温度，无过冷度

* 必须附加缸头冷却风扇

* Cooling quantity based on air intake at 20°C, no over cooling.

* Cylinder end cooling fan must be installed.

制冷量 (瓦)
Capacity(Watts)

50Hz

型号 Model	冷凝温度°C Condensing Temperature		蒸发温度°C Evaporating Temperature									
			12.5	10	7	5	0	-5	-10	-15	-20	-25
				Q								
	P											
4SHV-200E	30	Q	74800	68600	61300	56850	46800	38000	30800	24400	19320	14950
		P	9600	9700	9750	9750	9550	9150	8650	8000	7250	6500
	40	Q	66560	60580	54500	49900	41000	33300	26700	21200	15860	12000
		P	12400	12300	12100	11900	11400	10600	9800	8900	7900	6950
	50	Q	57450	52360	46650	43000	35100	28400	22600	17060	13000	9650
		P	15000	14600	14200	13800	12900	11800	10700	9550	8350	7250
4SHV-250E	30	Q	93800	85900	76560	70900	58260	47250	37680	30100	23000	18000
		P	12800	12900	12900	12800	12500	11900	11100	10200	9100	8050
	40	Q	83200	75500	67600	62800	51200	41800	33100	26100	19200	14300
		P	16100	15900	15600	15300	14500	13500	12300	11100	9800	8500
	50	Q	71620	65200	58100	53600	44100	35200	28000	21100	16000	11610
		P	19100	18600	18000	17600	16300	14900	13400	11900	10300	8850
4SHV-300E	30	Q	111200	101600	91230	84900	69900	56970	45760	36200	28100	21300
		P	15400	15600	15700	15600	15300	14600	13700	12500	11100	9600
	40	Q	98250	89900	80250	75100	61260	50000	39900	31200	23000	16700
		P	19700	19600	19200	18900	18000	16700	15300	13600	11800	9800
	50	Q	83200	76900	68900	63800	52700	42500	33900	25300	18700	12900
		P	23400	22900	22200	21600	20100	18300	16400	14200	12000	9650
6SHW-350E	30	Q	137800	125900	112800	104000	85200	69300	55600	44800	34800	26800
		P	19800	19900	19900	19800	19200	18200	17000	15500	13900	12300
	40	Q	121000	110500	98900	91200	74600	60200	48300	38400	28700	21400
		P	24900	24600	24100	23700	22400	20900	19100	17200	15200	13300
	50	Q	104200	94300	84500	78250	63940	51760	41720	31280	23680	17650
		P	29200	28600	27600	27000	25100	23000	20800	18500	16200	14100
6SHW-400E	30	Q	167200	152600	136600	126700	103860	84200	67800	53600	41900	32200
		P	23000	23300	23300	23300	22700	21700	20200	18500	16500	14400
	40	Q	147200	133600	120000	11000	91000	73650	59300	46500	34560	25300
		P	29600	29300	28700	28200	26700	24700	22500	20100	17600	15100
	50	Q	126000	115200	102860	95400	77900	62800	50650	37900	28600	20300
		P	35300	34400	33200	32300	29800	27100	24200	21200	18200	15300
6SHW-500E	30	Q	203000	186200	166000	153900	125800	101900	81420	63250	48600	36680
		P	28100	28000	27800	27600	26700	25500	23900	22000	19900	17500
	40	Q	177200	162000	144500	134100	110000	88200	70650	54200	39100	27600
		P	35200	34700	33900	33200	31400	29200	26700	24000	21000	18100
	50	Q	151000	138900	123800	114200	93280	74950	59200	43280	31100	20980
		P	41700	40600	39100	38100	35200	32000	28600	25000	21300	17500

* 制冷量基于 20°C 吸气温度，无过冷度

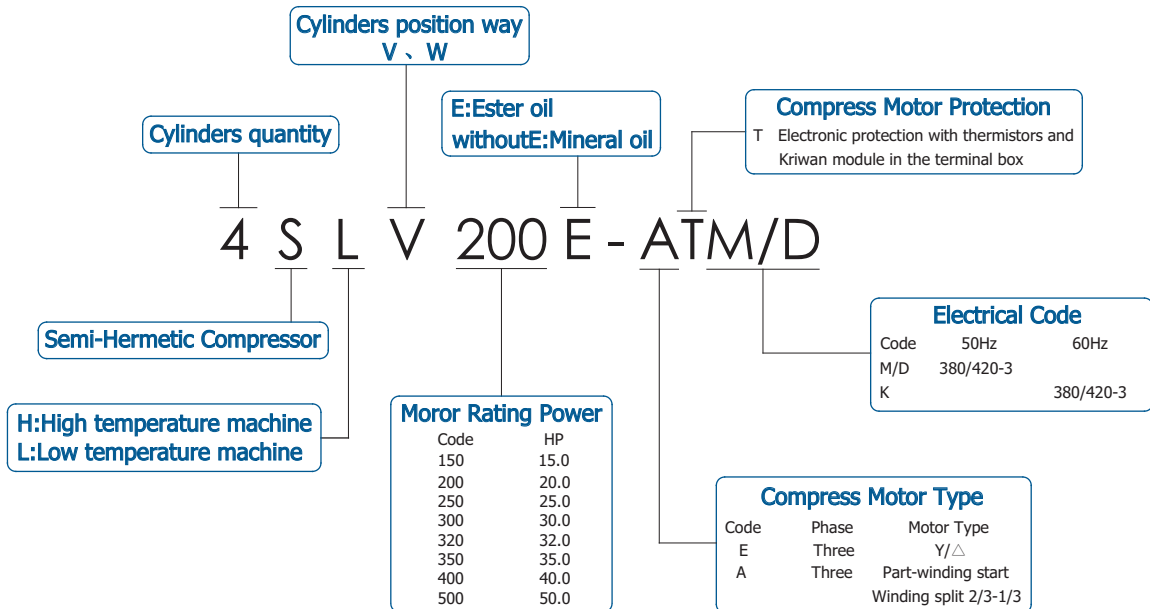
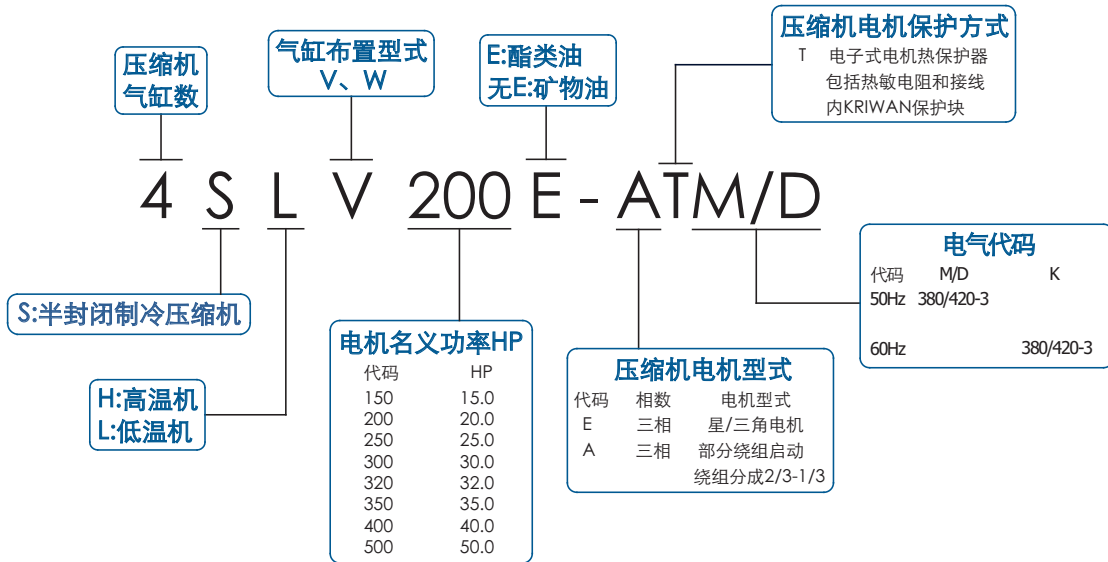
* 必须附加缸头冷却风扇，且吸气过热度限制在 20K 以下

* 吸气过热度限制在 20K 以下

* Cooling quantity based on air intake at 20K, no over cooling.

* Cylinder end cooling fan must be installed, over heat intake air must be under 20K.

* Over heat intake air must be limited under 20K.



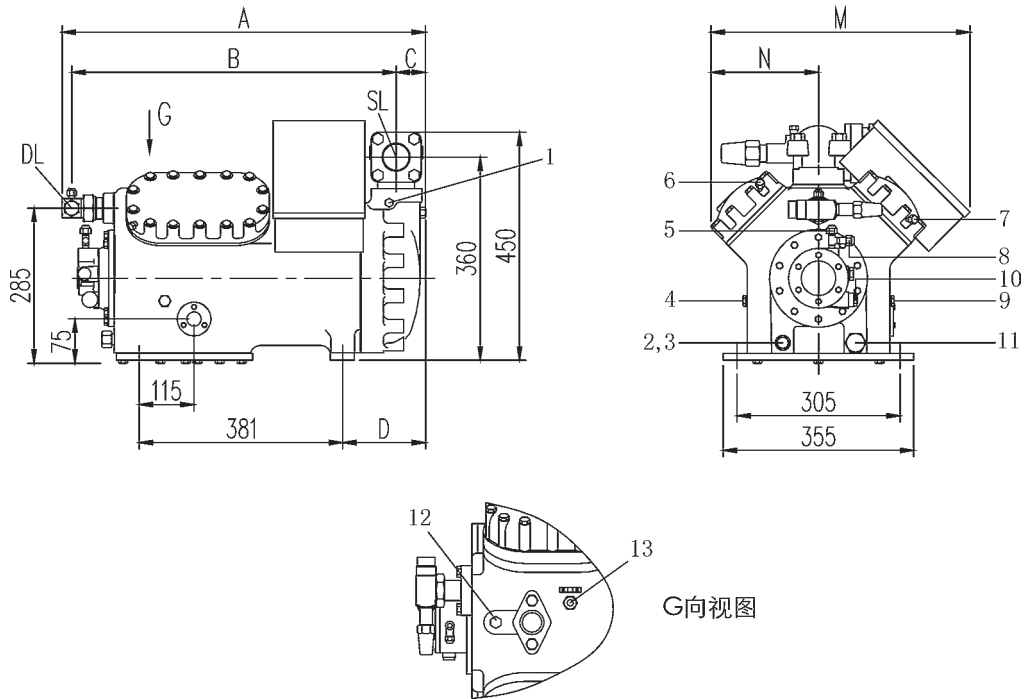
技术参数 Technical Data

型号 Model		4SLV-150 4SLV-150E	4SHV-200 4SHV-200E	4SLV-200 4SLV-200E	4SHV-250 4SHV-250E	4SHV-300 4SHV-300E
名义功率 Nominal Power		15	20	20	25	30
缸数 Number of Cylinders		4	4	4	4	4
排气量(立方米/小时) Air Capacity(m ³ /h)		70.8/85.1	56.0/67.1	84.8 /101.6	70.8/85.1	84.8 /101.6
启动电流(LRA)(安培) Starting Current (LRA)(A)						
ETK 380-420V/220-240V 3PH 60Hz		162-180/282-313	203-225/354-387	181-199/313-345	228-252/397-433	243-268/424-462
ATM/D 380-420V 3PH 50Hz/440-480V 3PH 60Hz		126-140/119-132	158-176/164-179	143-160/137-154	181-199/184-200	200-221/196-213
最大运转电流(MCC)(安培) Max. Working Current(MCC)(A)						
ETK 380-420V/220-240V 3PH 60Hz		37.3/64.6 42.1/72.9	37.9/66.4	41.8/72.4 47.5/82.3	50.9/89.0	57.6/101 58.0/101
ATM/D 380-420V 3PH 50Hz/440-480V 3PH 60Hz		31.1/31.1 35.1/35.1	31.6/31.6	34.9/34.9 39.6/39.6	42.4/42.4	48.0/48.0 48.3/48.3
接管尺寸(英寸) Size of Pipe (In)						
排气管接管 Exhaust Valve Pipe		1 1/8"	1 1/8"	1 3/8"	1 1/8"	1 3/8"
吸气管接管 Suction Valve Pipe		1 5/8"	1 5/8"	2 1/8"	2 1/8"	2 1/8"
曲轴箱加热器功率(瓦) Crankcase Heater Power (W)		100	100	100	100	100
外形尺寸 Dimensions						
长(L) Length		680	650	725	670	690
宽(W) Width		485	485	490	490	515
高(不带风扇) Height (without fan)		495	495	495	495	495
底脚安装尺寸(A)×(B) Installation Size of Footing		381×305(25.4)	381×305(25.4)	381×305(25.4)	381×305(25.4)	381×305(25.4)
油充注量(升) Oil Filling Volume(L)		3.4	3.8	3.4	3.8	3.8
净重(千克) Net Weight (kg)		180	183	192	194	210
毛重(千克) Gross Weight (kg)		207	210	219	221	237

技术参数 Technical Data

型号 Model	6SLW-250 6SLW-250E	6SHW-350 6SHW-350E	6SLW-320 6SLW-320E	6SHW-400 6SHW-400E	6SLW-400 6SLW-400E	6SHW-500 6SHW-500E
名义功率 Nominal Power	25	35	32	40	40	50
缸数 Number of Cylinders	6	6	6	6	6	6
排气量(立方米/小时) Air Capacity(m ³ /h)	106.0/127.1	106.0/127.1	127.0/152.4	127.0/152.4	151.8/182.2	151.8/182.2
启动电流(LRA)(安培) Starting Current (LRA)(A)						
ETK 380-420V/220-240V 3PH 60Hz	215-236/371-409	331-367/578-632	325-359/562-622	332-367/579-632	331-367/578-632	436-482/761-830
ATM/D 380-420V 3PH 50Hz/440-480V 3PH 60Hz	173-192/166-184	275-304/268-292	254-284/244-273	275-304/268-292	275-304/268-292	356-394/351-383
最大运转电流(MCC)(安培) Max. Working Current(MCC)(A)						
ETK 380-420V/220-240V 3PH 60Hz	54.5/94.4 61.9/107.2	76.3/134	70.1/121.4 77.8/134.7	90.4/158	85.3/149 93.6/164	107/188
ATM/D 380-420V 3PH 50Hz/440-480V 3PH 60Hz	45.4/45.4 51.6/51.6	63.6/63.6	58.3/58.3 64.9/64.9	75.3/75.3	71.1/71.1 78.0/78.0	89.4/89.4
接管尺寸(英寸) Size of Pipe (In)						
排气管接管 Exhaust Valve Pipe	1 3/8"	1 3/8"	1 3/8"	1 3/8"	1 5/8"	1 5/8"
吸气管接管 Suction Valve Pipe	2 1/8"	2 1/8"	2 1/8"	2 1/8"	2 5/8"	2 5/8"
曲轴箱加热器功率(瓦) Crankcase Heater Power (W)	100	100	200	200	200	200
外形尺寸 Dimensions						
长(L) Length	740	740	740	760	771	771
宽(W) Width	540	540	540	565	570	570
高(不带风扇) Height (without fan)	490	490	545	545	540	540
底脚安装尺寸(A)×(B) Installation Size of Footing	381×305(25.4)	381×305(25.4)	381×305(25.4)	381×305(25.4)	381×305(25.4)	381×305(25.4)
油充注量(升) Oil Filling Volume(L)	3.4	4	6.8	6.8	6.8	6.8
净重(千克) Net Weight (kg)	210	224	234	252	265	268
毛重(千克) Gross Weight (kg)	237	251	261	279	294	295

4SLV-150 4SLV-150E 4SLV-200 4SLV-200E

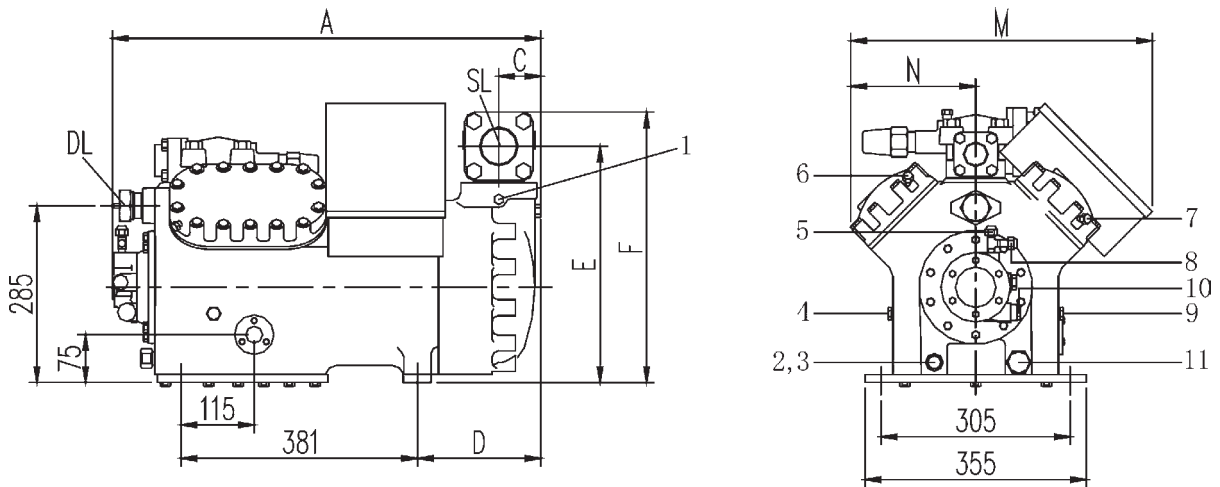


1 低压接口丝堵规格 Plug low-pressure connection	R ₂ 1/8	2 内置油过滤网 Oil screen built in	
3 磁堵 Magnetic plug	1"-16UN	4 注油口丝堵规格 Plug oil charge	1/4"-18NPTF
5 油压高压接口丝堵规格 Oil-pressure control H. P.	1/4"~6mm	6 DTC 阀传感器接口 (用于 50Hz 压缩机) Plug DTC valve sensor connection(used for 50Hz)	1/2"-14NPTF
7 高压接口丝堵规格 Plug high-pressure connection	R ₂ 1/8	8 油压接口丝堵规格 Oil-pressure connection	7/16"-20UNF
9 油压低压接口丝堵规格 Plug oil-pressure control L. P.	1/4"-18NPTF	10 电子式油压差控制器接口规格 Sensor connection/OPS1	
11 曲轴箱加热器套管 Sleeve (crankcase heater)	1/2"-14NPSL	12 DTC 阀传感器接口 (用于 60Hz 压缩机) Plug DTC valve sensor connection(used for 60Hz)	1/2"-14NPSL
13 喷液转换接头 Liquid injection adapter connection	1/4"-18NPTF		

型号 /Model	A	B	C	D	M	N
4SLV-150 4SLV-150E	680	600	55	155	485	205
4SLV-200 4SLV-200E	725	635	65	200	490	210

外形尺寸 Dimensions

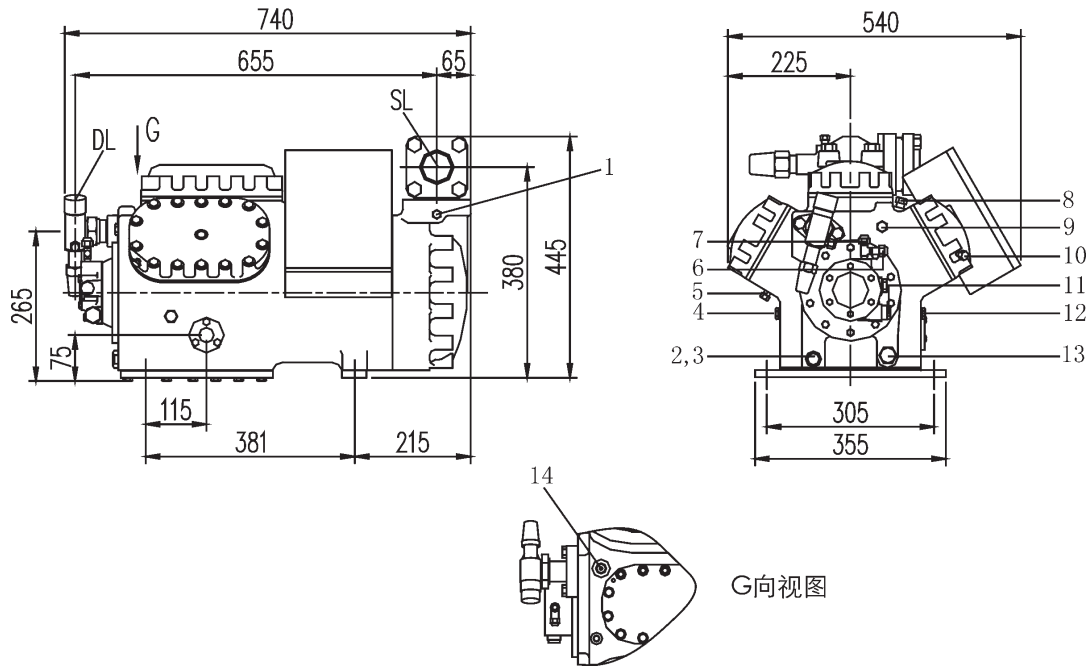
4SHV-200 4SHV-200E 4SHV-250 4SHV-250E 4SHV-300 4SHV-300E



1 低压接口丝堵规格 Plug low-pressure connection	R ₂ 1/8	2 内置油过滤网 Oil screen built in	
3 磁堵 Magnetic plug	1"-16UN	4 注油口丝堵规格 Plug oil charge	1/4"-18NPTF
5 油压高压接口丝堵规格 Oil-pressure control H. P.	1/4"~6mm	6 高压接口丝堵规格 Plug high-pressure connection	R ₂ 1/8
7 高压接口丝堵规格 Plug high-pressure connection	R ₂ 1/8	8 油压接口丝堵规格 Oil-pressure connection	7/16"-20UNF
9 油压低压接口丝堵规格 Plug oil-pressure control L. P.	1/4"-18NPTF	10 电子式油压差控制器接口规格 Sensor connection/OPS1	
11 曲轴箱加热器套管 Sleeve (crankcase heater)	1/2"-14NPSL		

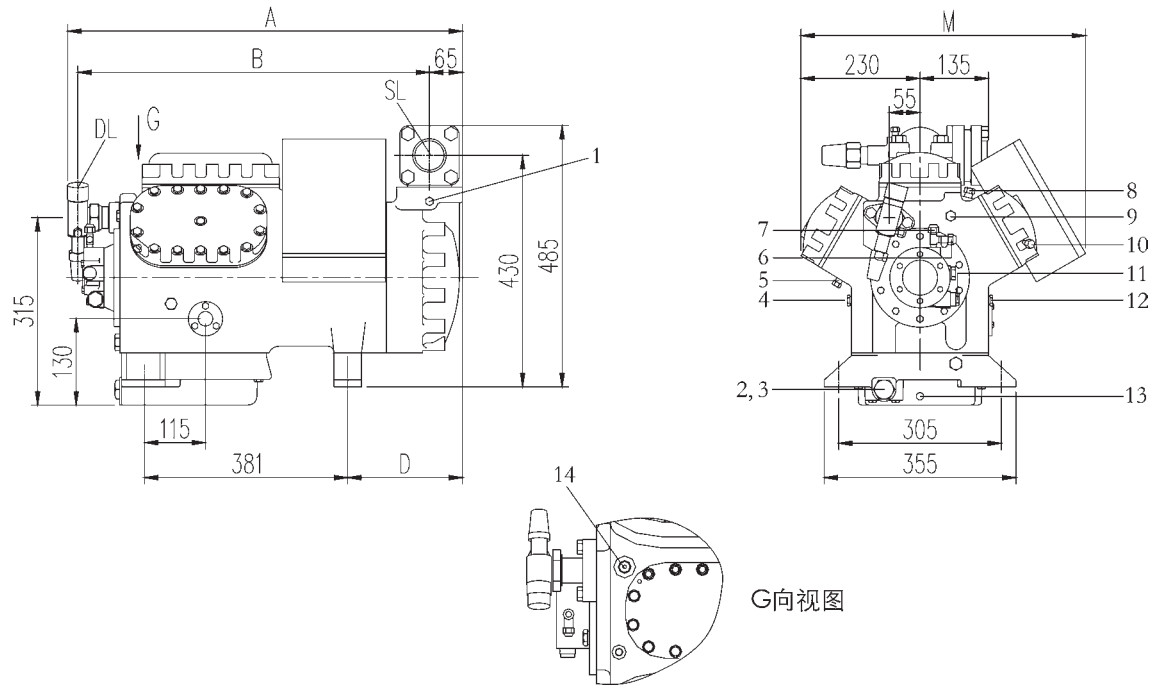
型号 /Model	A	C	D	E	F	M	N
4SHV-200 4SHV-200E	650	55	155	360	450	485	205
4SHV-250 4SHV-250E	670	65	180	380	450	490	210
4SHV-300 4SHV-300E	690	65	200	380	450	515	230

6SLW-250 6SLW-250E 6SHW-350 6SHW-350E



1 低压接口丝堵规格 Plug low-pressure connection	R ₂ 1/8	2 内置油过滤网 Oil screen built in	
3 磁堵 Magnetic plug	1"-16UN	4 注油口丝堵规格 Plug oil charge	1/4"-18NPTF
5 喷液转换接头 Liquid injection adapter connection	1/4"-18NPTF	6 油压接口丝堵规格 Oil-pressure connection	7/16"-20UNF
7 油压高压接口丝堵规格 Oil-pressure control H. P.	1/4"~6mm	8 喷液转换接头 Liquid injection adapter connection	3/8"-18NPTF
9 高压接口丝堵规格 Plug high-pressure connection	1/4"-18NPTF	10 高压接口丝堵规格 Plug high-pressure connection	R ₂ 1/8
11 电子式油压差控制器接口规格 Sensor connection/OPS1		12 油压低压接口丝堵规格 Plug oil-pressure control L. P.	1/4"-18NPTF
13 曲轴箱加热器套管 Sleeve (crankcase heater)	1/2"-14NPSL	14 DTC 阀传感器接口 Plug DTC valve sensor connection	1/2"-14NPSL

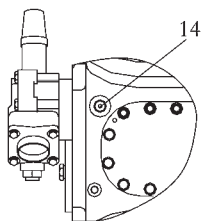
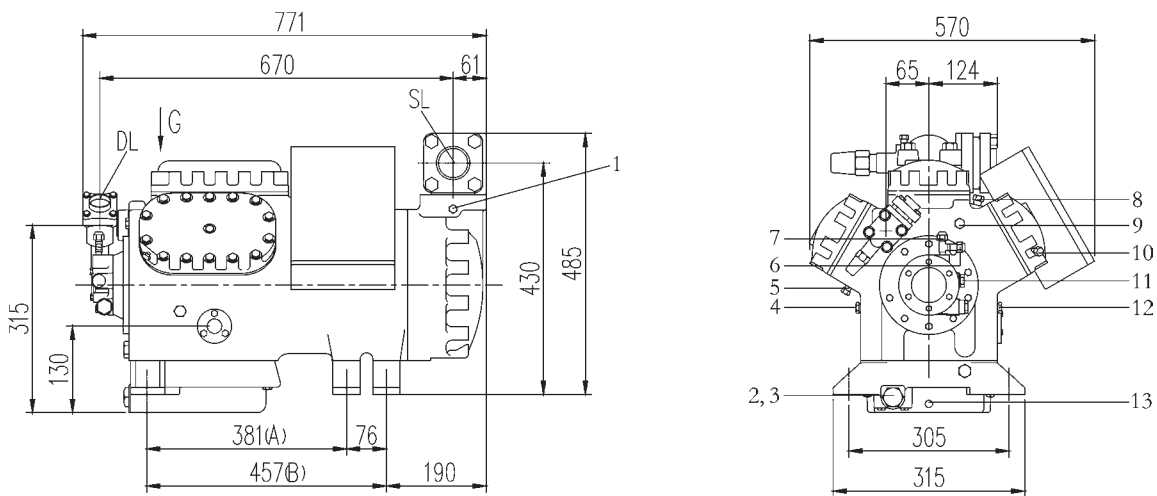
6SLW-320 6SLW-320E 6SHW-400 6SHW-400E



1 低压接口丝堵规格 Plug low-pressure connection	R ₂ 1/8	2 内置油过滤网 Oil screen built in	
3 磁堵 Magnetic plug	1"-16UN	4 注油口丝堵规格 Plug oil charge	1/4"-18NPTF
5 喷液转换接头 Liquid injection adapter connection	1/4"-18NPTF	6 油压接口丝堵规格 Oil-pressure connection	7/16"-20UNF
7 油压高压接口丝堵规格 Oil-pressure control H. P.	1/4"~6mm	8 喷液转换接头 Liquid injection adapter connection	3/8"-18NPTF
9 高压接口丝堵规格 Plug high-pressure connection	1/4"-18NPTF	10 高压接口丝堵规格 Plug high-pressure connection	R ₂ 1/8
11 电子式油压差控制器接口规格 Sensor connection/OPS1		12 油压低压接口丝堵规格 Plug oil-pressure control L. P.	1/4"-18NPTF
13 曲轴箱加热器孔 Bore (crankcase heater)	Φ1/2"=12.7mm	14 DTC 阀传感器接口 Plug DTC valve sensor connection	1/2"-14NPSL

型号 /Model	A	B	D	M
6SLW-320 6SLW-320E	740	655	215	540
6SHW-400 6SHW-400E	760	675	235	565

6SLW-400 6SLW-400E 6SHW-500 6SHW-500E



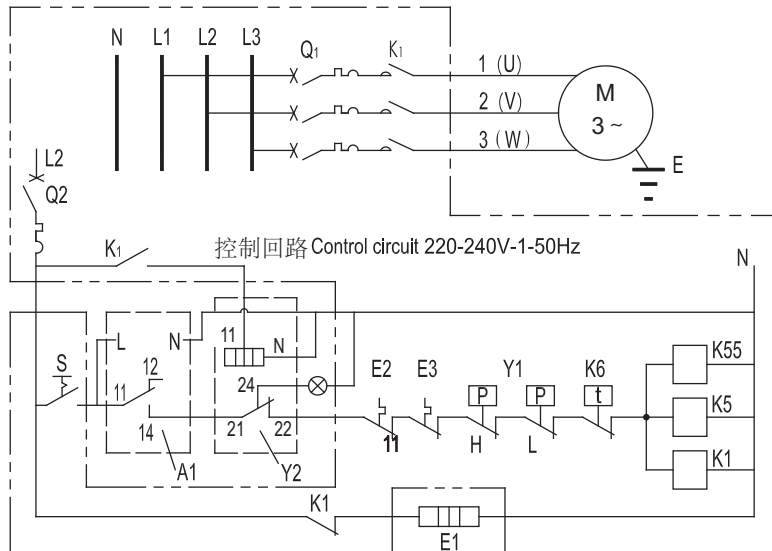
G向视图

型号 /Model	底脚孔间距 Distance between foot holes
6SLW	标准 A
6SHW	标准 B

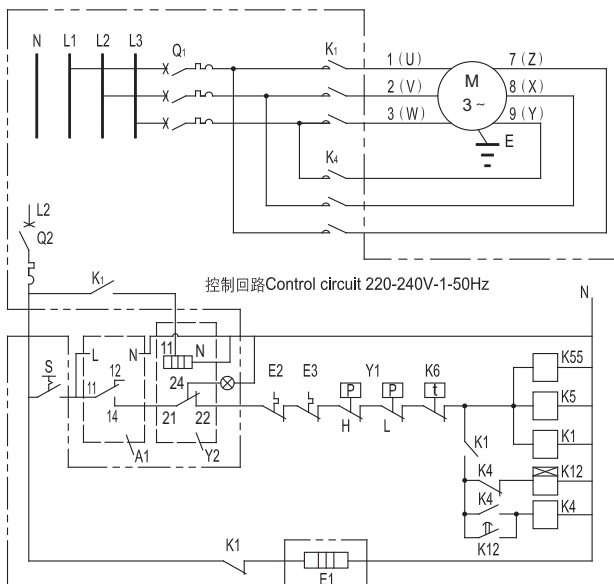
1 低压接口丝堵规格 Plug low-pressure connection	R ₂ 1/8	2 内置油过滤网 Oil screen built in	
3 磁堵 Magnetic plug	1"-16UN	4 注油口丝堵规格 Plug oil charge	1/4"-18NPTF
5 喷液转换接头 Liquid injection adapter connection	1/4"-18NPTF	6 油压接口丝堵规格 Oil-pressure connection	7/16"-20UNF
7 油压高压接口丝堵规格 Oil-pressure control H. P.	1/4"~6mm	8 喷液转换接头 Liquid injection adapter connection	3/8"-18NPTF
9 高压接口丝堵规格 Plug high-pressure connection	1/4"-18NPTF	10 高压接口丝堵规格 Plug high-pressure connection	R ₂ 1/8
11 电子式油压差控制器接口规格 Sensor connection/OPS1		12 油压低压接口丝堵规格 Plug oil-pressure control L. P.	1/4"-18NPTF
13 曲轴箱加热器孔 Bore (crankcase heater)	Φ1/2"=12.7mm	14 DTC 阀传感器接口 (用于 6SLW) Plug DTC valve sensor connection (used for 6SLW)	1/2"-14NPSL

下列电气原理图供用户进行电气控制设计时参考，可以在曲轴箱加热器回路中设置一个手动开关
 The following diagram is supplied to customers for reference. A switch can be added to the crankcase heater circuit.

4S/6S 直接启动电气原理图 (ATM/D型) Electrical diagram for direct start



4S/6S 电机部分绕组启动的电气原理图 (ATM/D型) Electrical diagram For Part winding Start



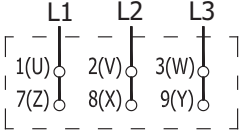
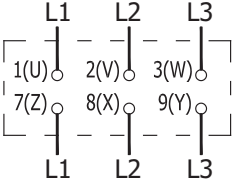
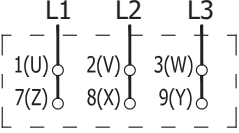
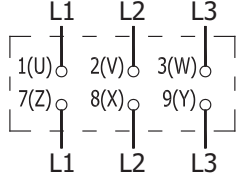
电气符号说明:

- M: 压缩机电机
- Q1: 小型断路器
- Q2: 小型断路器
- S: 手动开关
- K1-K4: 接触器M1
- K5, K55: 风扇接触器
- K6: 温度控制器
- K12: 时间继电器
(0.5~0.7s用于部分绕组启动)
- E1: 曲轴箱加热器
- E2-E3: 风扇热保护开关
- Y1: 压力控制器
- Y2: 油压差控制器
- A1: 电机保护模块
- A5: 压缩机接线盒

Electrical Code Note:

- Compressor motor
- The mMini-breaker
- The mMini-breaker
- Switch
- Contactor M1
- Fan contactor
- Thermostat
- Time delay relay
(0.5s~0.7s for part winding start)
- Crankcase start
- Thermal protection switch for fan
- H/I pressure switches
- Oil Differential Pressure Switch
- Motor protector module
- Terminal Box of Compressor

4S/6S 接线盒内压缩机电机接线说明 Jumper Position Compressor Motor

星-三角电机 (Y-Δ) 代码 E Star-Delta-Motor Code E	<p style="text-align: center;">直接启动 Δ Direct-On line Start 220-240V 3Ph</p> 	<p style="text-align: center;">星-三角启动 Y-Δ Star-Delta-Motor 220-240V 3Ph</p> 
分绕组电机 (Y-Y) 代码 A Part-Winding Motor Code A	<p style="text-align: center;">直接启动 Y-Y Direct-On line Start 380-420V 3Ph/440-480V 3Ph</p> 	<p style="text-align: center;">分绕组启动Y-Y, 首先启动1-2-3 Part-Winding Start,first Start Step 1-2-3 380-420V 3Ph/440-480V 3Ph</p> 

双级 TwoStage 系列

R 2 2

制冷量 (瓦)
Capacity(Watts)

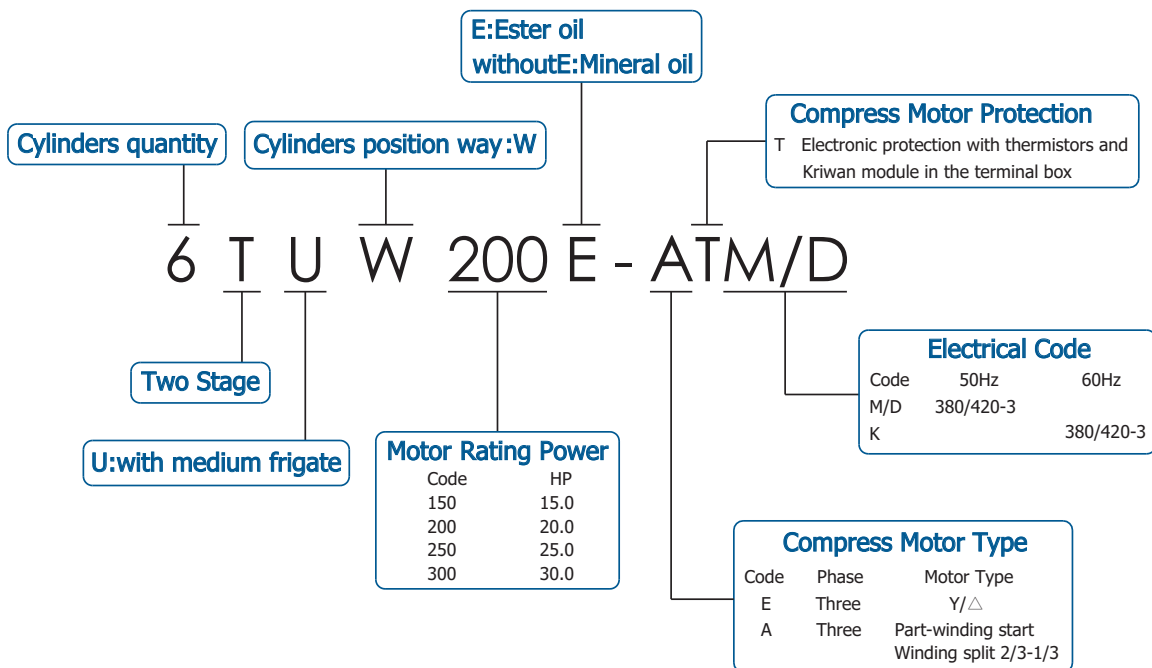
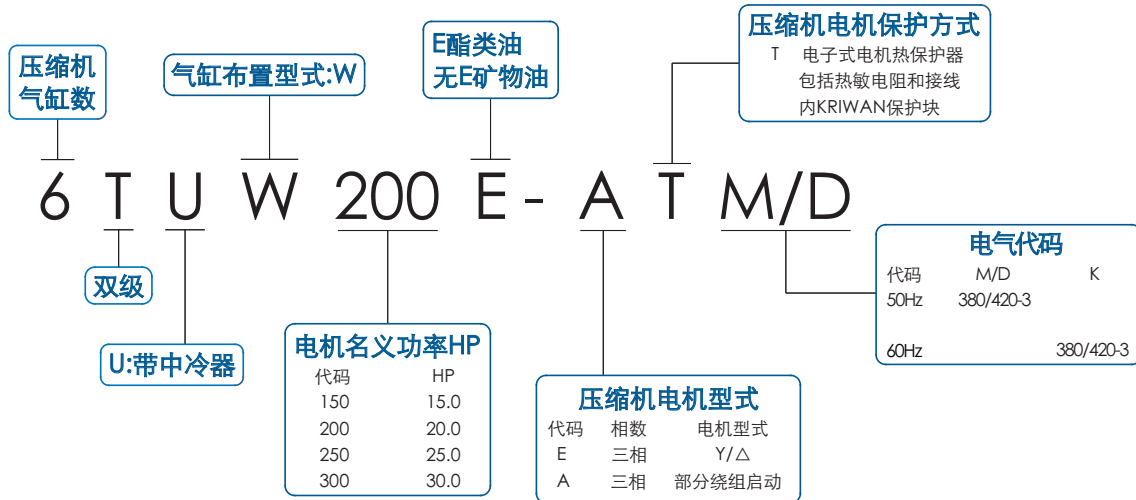
50Hz

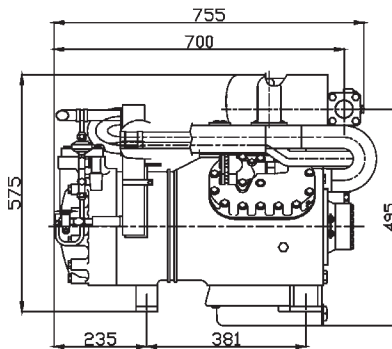
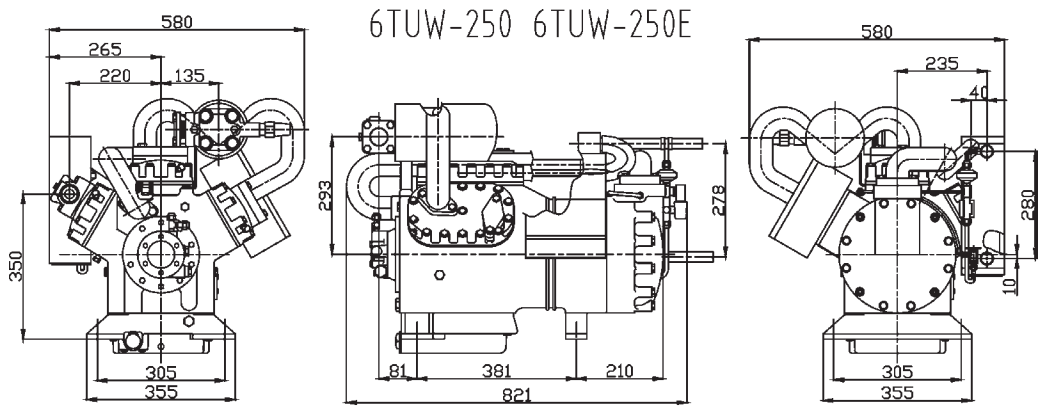
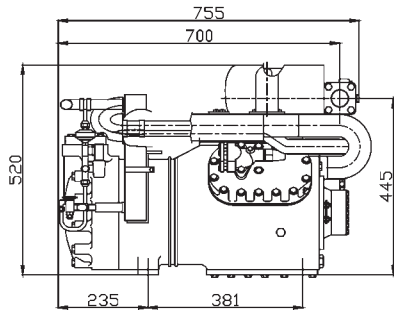
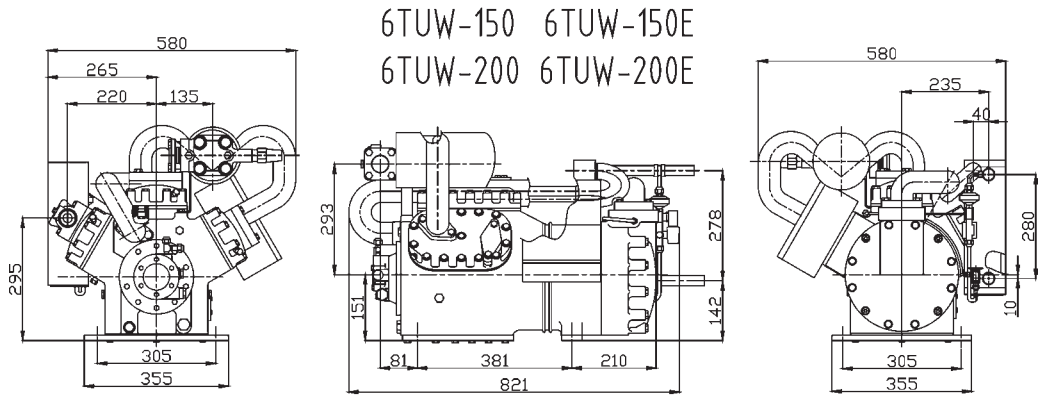
型号 Model	冷凝温度°C Condensing Temperature		蒸发温度°C Evaporating Temperature						
			-50	-45	-40	-35	-30	-25	-20
			6TUW-150	30	Q	7700	9650	12300	15300
		P	6550	7250	7800	8800	9600	10500	11300
	40	Q	7350	9300	12000	15000	18400	22200	26800
		P	7250	8050	8700	9800	10900	12000	13100
	50	Q		8750	11800	14800	18100	21800	25800
		P		8900	9600	10900	12200	13500	14700
	30	Q	9600	12100	15400	19200	23500	28500	34500
		P	8250	9150	9900	11100	12300	13200	14200
6TUW-200	40	Q	9250	11700	15000	18800	23000	27700	33500
		P	9100	10100	11000	12500	13800	15200	16600
	50	Q		11400	14800	18500	22600	27300	32500
		P		11100	12100	13700	15400	17000	18600
	30	Q	10500	14000	17800	22200	27200	32900	40000
		P	8850	10000	11200	12600	14000	15300	16900
6TUW-250	40	Q	9750	13400	17400	21800	26700	32200	39000
		P	9750	11100	12600	14200	15800	17300	19400
	50	Q		13200	17100	21500	26300	31600	37500
		P		12100	13800	15600	17700	19400	22000
	30	Q	13100	17400	22200	27700	33900	40900	48900
		P	10700	12400	14100	15800	17500	19200	20900
6TUW-300	40	Q	12200	16800	21700	27100	33200	40100	47800
		P	11800	13800	15800	17800	19800	21800	23800
	50	Q		16300	21300	26700	32700	39400	47800
		P		15000	17300	19700	22000	24400	26800

R 4 0 4 A

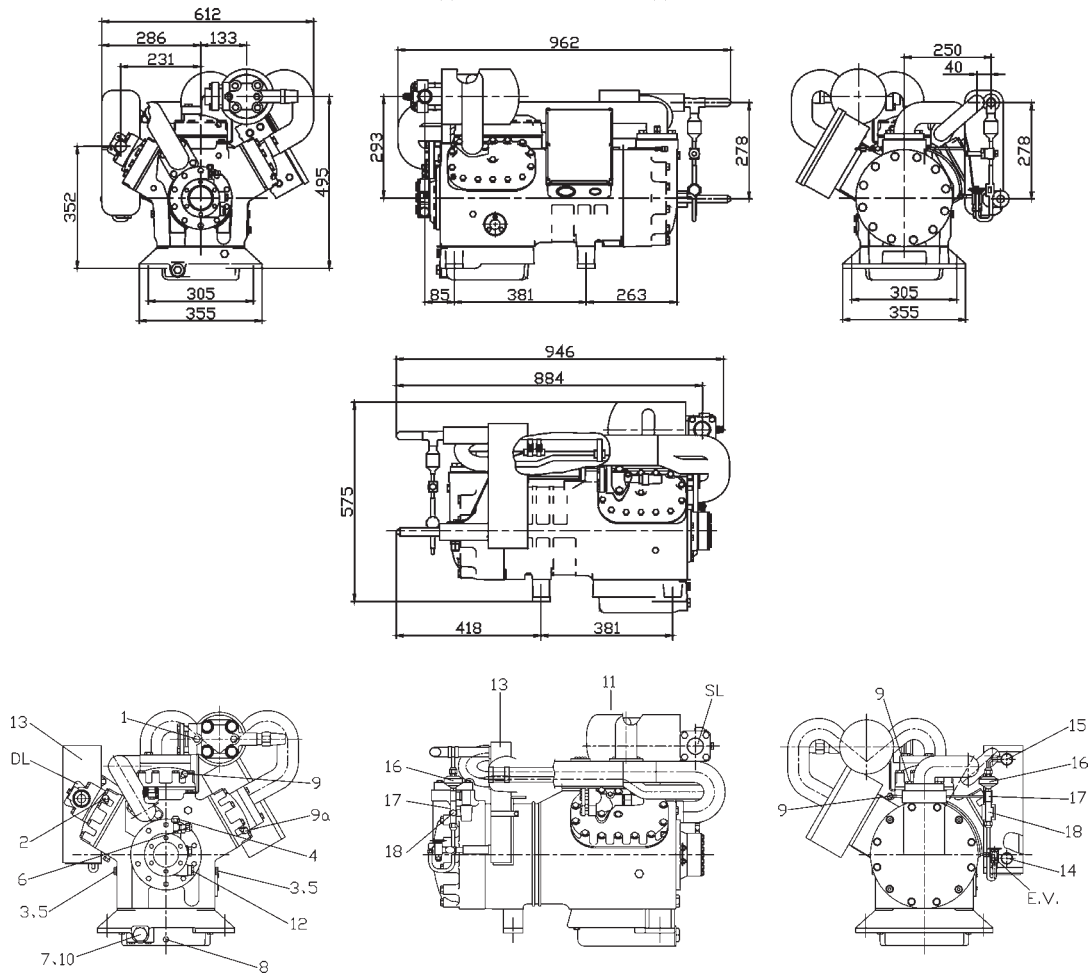
型号 Model	冷凝温度°C Condensing Temperature		蒸发温度°C Evaporating Temperature								
			-60	-55	-50	-45	-40	-35	-30	-25	-20
			6TUW-150E	30	Q	6330	8200	10400	12900	15900	19200
		P	5700	6700	7600	8500	9400	10400	11500	12800	14100
	40	Q	5840	7700	9800	12300	15100	18400	22100	26100	30700
		P	6400	7400	8400	9500	10500	11600	12900	14300	15800
	50	Q	5540	7320	9400	11800	14450	17500	21000	25000	29300
		P	7000	8200	9300	10500	11700	13000	14400	15900	17700
	30	Q	7820	10200	12870	16000	19700	23860	28500	33760	39700
		P	7500	8650	9850	11000	12100	13300	15100	16700	18500
6TUW-200E	40	Q	7320	9500	12200	15200	18800	22700	27300	32400	38000
		P	8400	9700	10800	12200	13500	14900	16900	18700	20700
	50	Q	6930	9100	11600	14550	17900	21600	26600	30800	36300
		P	9200	10700	12100	13600	15100	16600	18800	20800	23100
	30	Q	9250	12000	15100	18800	23100	28000	33500	39700	46530
		P	8850	9900	11200	12600	14000	15500	16900	19000	21100
6TUW-250E	40	Q	8500	11200	14350	17900	22100	26700	32000	38000	44650
		P	9700	10900	12300	13800	15500	17200	18900	21300	23600
	50	Q	8120	10700	13660	17000	21000	25500	30600	36200	42570
		P	10600	12000	13500	15200	17100	19100	21400	23800	26300
	30	Q	11000	14260	18100	22400	27500	33300	39800	47100	55340
		P	10300	11800	13500	15200	17000	18800	20800	22900	25100
6TUW-300E	40	Q	10200	13360	17000	21300	26200	31780	38100	45100	53100
		P	11500	13200	15000	17000	19000	21100	23300	25700	28200
	50	Q	9650	13000	16230	20300	25000	30300	36300	43100	50680
		P	12600	14600	16600	18800	21000	23400	26000	28600	31500

* 基于 20°C 吸气温度, 带中冷器 * Inlet air temperature at 20°C, with medium frigate





6TUW-300 6TUW-300E



接口示意 Connection indication

- | | | |
|---|--|--|
| <p>SL 吸气管截止阀
Disconnection valve on air inlet pipe</p> <p>DL 排气管截止阀
Disconnection valve on air exhaust pipe</p> <p>E. V. 过冷膨胀阀
Over cooling expansion valve</p> <p>1. 低压接口丝堵
Plug low-pressure connection</p> <p>2. 高压接口丝堵
Plug high-pressure connection</p> <p>3. 注油丝堵
Magnetic plug</p> <p>4. 油压控制高压接口
Oil-pressure control H. P.</p> <p>5. 油压控制低压接口
Oil-pressure control L. P.</p> | <p>6. 油压接口 (针阀)
Oil pressure connection (Pin valve)</p> <p>7. 油过滤网 (内置)
Oil screen built in</p> <p>8. 曲轴箱加热器套管 (孔)
Sleeve (crankcase heater/bore)</p> <p>9. 中间压力接口
Intermediate pressure connection</p> <p>9a. 中间压力接口 (针阀)
Intermediate pressure connection (Pin valve)</p> <p>10. 磁堵
Magnetic plug</p> <p>11. 保温
Heat preservation</p> <p>12. 油压传感器接口丝堵
Nut stopper at the oil pressure sensor connection</p> | <p>13. 过冷器
Sensor connection</p> <p>14. 通往蒸发器的液管 (焊接口)
Liquid line to evaporator (sweat)</p> <p>15. 储液器接管 (焊接口)
Liquid line from receiver (sweat)</p> <p>16. 过滤器
Filter</p> <p>17. 电磁阀
Solenoid valve</p> <p>18. 视液镜
Sight glass</p> |
|---|--|--|

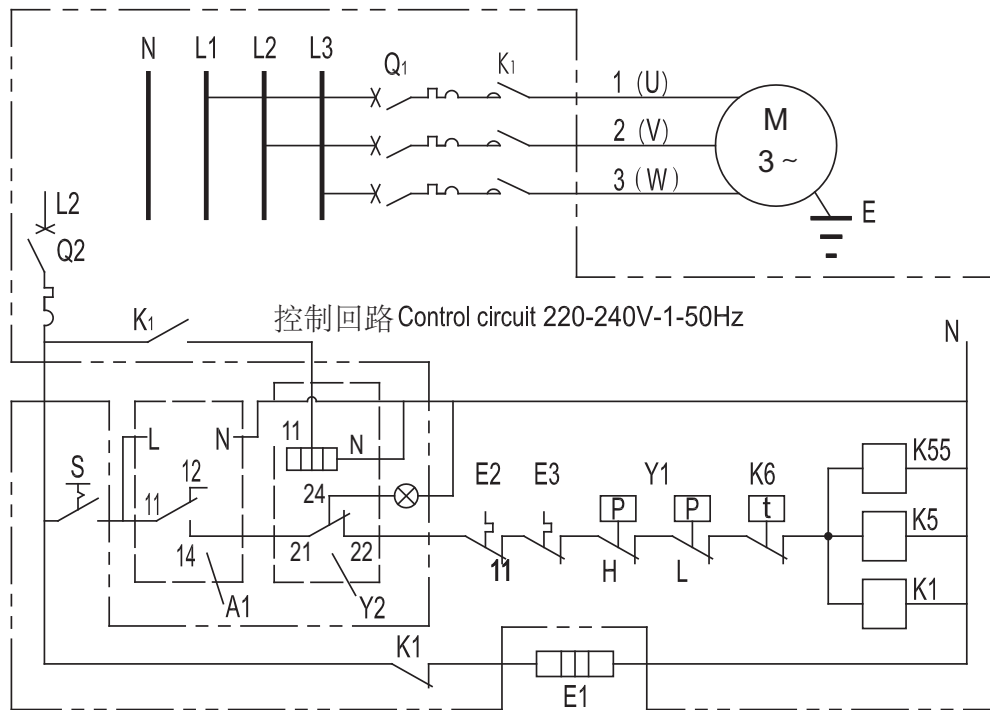
技术参数 Technical Data

型号	名义功率 (马力)	缸数	排气量 (立方米/小时)	启动电流 (LRA) (安培)	最大运行电流 (安培)	接管尺寸 (英寸)		外形尺寸 (毫米)			底脚安装尺寸 (A×B)	油充重量 (千克)		曲轴箱加热器 (W)	
						排气管接管外径	吸气管接管外径	长 (L)	宽 (W)	高 (H)		净重	毛重		
6TUW-150 6TUW-150E	15	6	56	173	28.8/29.4	1 3/8	1 5/8	755	585	575	381×305	4.0	224	254	100
6TUW-200 6TUW-200E	20	6	70.8	173	40.9/42.5	1 3/8	1 5/8	755	585	575	381×305	4.0	227	257	100
6TUW-250 6TUW-250E	25	6	84.7	197	42.1/44.6	1 3/8	1 5/8	755	585	630	381×305	6.8	247	277	200
6TUW-300 6TUW-300E	30	6	101.2	304	48.2/53.8	1 3/8	1 5/8	962	612	619	381×305	6.8	268	300	200

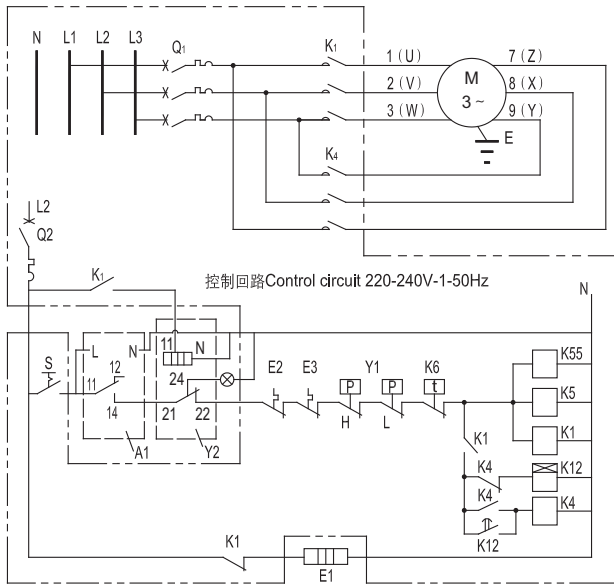
电气原理图 Electrical Wiring Diagrams

下列电气原理图供用户进行电气控制设计参考 The following diagram is supplied to customers for reference

6T 直接启动电气原理图 (ATM/D 型) Electrical diagram for direct start



6T 电机部分绕组启动的电气原理图 (ATM/D 型) Electrical diagram For Part winding Start



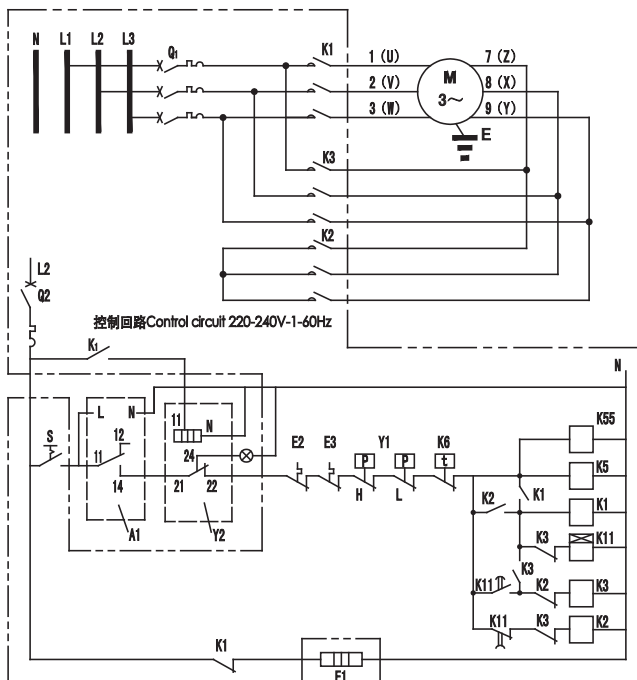
电气符号说明:

- M: 压缩机电机
- Q1: 小型断路器
- Q2: 小型断路器
- S: 手动开关
- K1-K4: 接触器M1
- K5, K55: 风扇接触器
- K6: 温度控制器
- K12: 时间继电器
- (0.5~0.7s用于部分绕组启动)
- E1: 曲轴箱加热器
- E2-E3: 风扇热保护开关
- Y1: 压力控制器
- Y2: 油压差控制器
- A1: 电机保护模块
- A5: 压缩机接线盒

Electrical Code Note:

- Compressor motor
- The mMini-breaker
- The mMini-breaker
- Switch
- Contactor M1
- Fan contactor
- Thermostat
- Time delay relay
- (0.5s~0.7s for part winding start)
- Crankcase start
- Thermal protection switch for fan
- H/I pressure switches
- Oil Differential Pressure Switch
- Motor protector module
- Terminal Box of Compressor

6T 用于星-三角启动的电气原理图 (ETK) 型 Electrical diagram For Y- Δ Start



电气符号说明:

- M: 压缩机电机
- Q1: 小型断路器
- Q2: 小型断路器
- S: 手动开关
- K1-K4: 接触器M1
- K5, K55: 风扇接触器
- K6: 温度控制器
- K11: 时间继电器
- K12: 时间继电器
- (0.5~0.7s用于部分绕组启动)
- E1: 曲轴箱加热器
- E2-E3: 风扇热保护开关
- Y1: 压力控制器
- Y2: 油压差控制器
- A1: 电机保护模块
- A5: 压缩机接线盒

Electrical Code Note:

- Compressor motor
- The mMini-breaker
- The mMini-breaker
- Switch
- Contactor M1
- Fan contactor
- Thermostat
- Time delay relay
- Time delay relay
- (0.5s~0.7s for part winding start)
- Crankcase start
- Thermal protection switch for fan
- H/I pressure switches
- Oil Differential Pressure Switch
- Motor protector module
- Terminal Box of Compressor

6T 接线盒内压缩机电机接线说明 Jumper Position Compressor Motor

星-三角电机 (Y-Δ) 代码 E Star-Delta-Motor Code E	直接启动 Δ Direct-On line Start 220-240V 3Ph	星-三角启动 Y-Δ Star-Delta-Motor 220-240V 3Ph
分绕组电机 (Y-Y) 代码 A Part-Winding Motor Code A	直接启动 Y-Y Direct-On line Start 380-420V 3Ph/440-480V 3Ph	分绕组启动Y-Y, 首先启动1-2-3 Part-Winding Start, first Start Step 1-2-3 380-420V 3Ph/440-480V 3Ph